

## RJ45 Unshielded Modular Male Plug (8-Pin), Cat6A- FCMP6AU



### DESCRIPTION

FABNET Cat 6A RJ45 (8P8C) modular plugs offer a simple and precise way for you to terminate the Ethernet cable. Cat 6A RJ 45 Modular Jacks will exceed the performance requirements of Cat 6A and are suitable for stranded as well as solid cable terminations. These modular plugs are manufactured from high-impact clear polycarbonate to withstand everyday wear and tear, and the contacts are 50-micron gold for optimum signal transmission. In addition, a two-piece design with loading bar makes it easier to install.

### APPLICATIONS

- 10/100/1000/1G/10G BASE-T (IEEE 802.3).
- Supports PoE++ (802.3bt) 4PPoE, up to 100W
- Horizontal Distribution for direct plugging to devices like CCTV, Wifi, Ceiling mount IP devices.
- Suitable for Unshielded U/UTP Ethernet cable

### SPECIFICATIONS & FEATURES

- Meet Wiring Scheme T568A/T568B.
- ISO/IEC 11801 Class D; ANSI/TIA 1096-A; IEC 60603-7
- Modular Plug With 8P8C
- 23 to 26 AWG solid and stranded cables.
- UL Listed, ETL Verified, ANSI/TIA 568 2.D Certified
- PoE & PoH Compatible

### PHYSICAL & ENVIRONMENTAL PROPERTIES

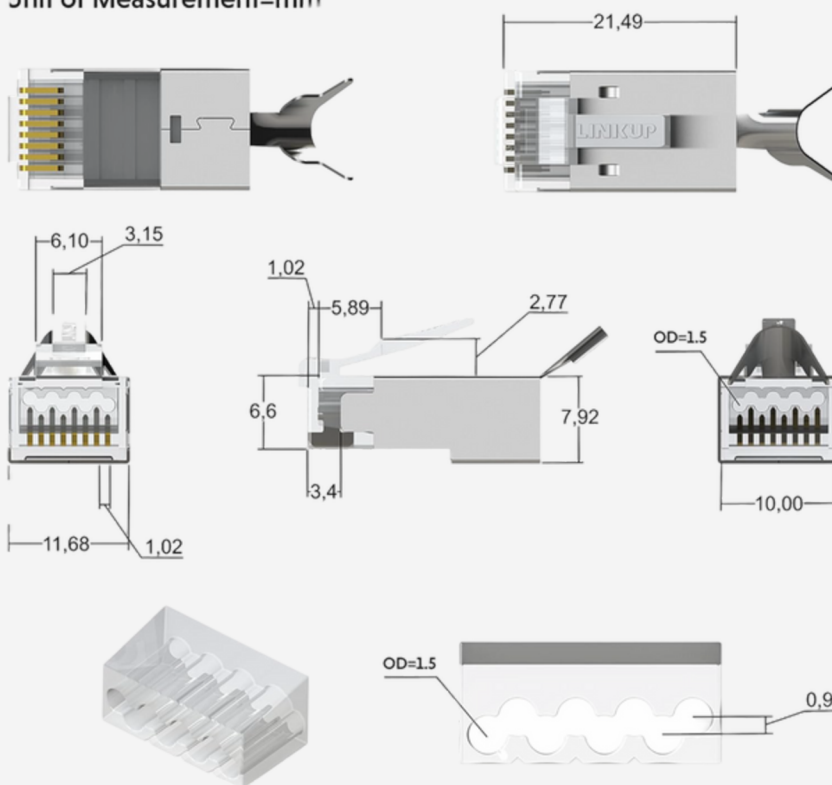
<b>Compatible Gauge solid</b>	23 to 26 AWG	<b>Category</b>	Category 6A Unshielded
<b>Termination Contact Plating</b>	Gold	<b>Colour</b>	Clear
<b>Conductor Insulation Diameter</b>	ø0.95 - 1.15mm	<b>Plug Housing &amp; Load Bar Material</b>	Polycarbonate
<b>Contact Material Type</b>	Phosphor Bronze	<b>Cable outer diameter</b>	Up to ø7.30mm
<b>Storage Temperature</b>	- 40°C To 70°C	<b>Operating Temperature</b>	-10 to +70C

## ELECTRICAL & MECHANICAL PROPERTIES

<b>Plug insertion Life</b>	750 cycles min
<b>Suitable Wire Sizes</b>	23 to 26 AWG
<b>Cable to Plug Tensile Strength</b>	20 ft-lbs minimum
<b>Contact Resistance</b>	$\leq 20 \text{ m}\Omega$
<b>Current Rating</b>	1.5A
<b>Voltage Proof, contact-to-contact</b>	1000Vdc, for 60s

## TECHNICAL DRAWING

Unit of Measurement=mm



## ORDERING INFORMATION

FCMP6AU

RJ45 Unshielded Modular Male Plug (8-Pin), Cat6A