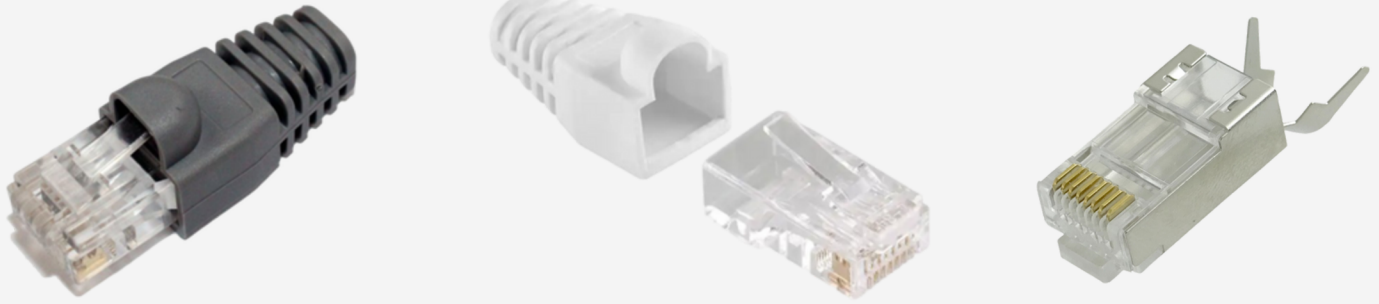


RJ45 Shielded Modular Male Plug (8-Pin), Cat6- FCMP6S



DESCRIPTION

FABNET Cat 6 RJ45 (8P8C) modular plugs offer a simple and precise way for you to terminate the Ethernet cable. Cat 6 RJ 45 Modular Jacks well exceed the performance requirements of Cat 6 and are suitable for stranded as well as solid cable terminations.

APPLICATIONS

- 10/100/1000/1G BASE-T (IEEE 802.3).
- Supports PoE++ (802.3bt) 4PPoE, up to 100W
- Horizontal Distribution for direct plugging to devices like CCTV, Wifi, Ceiling mount IP devices.
- ANSI/TIA 568 2.D Certified with F/UTP Ethernet cable via Modular Plug Terminated Links (MPTL) tests

SPECIFICATIONS & FEATURES

- Meet Wiring Scheme T568A/T568B.
- ISO/IEC 11801 Class D; ANSI/TIA 1096-A; IEC 60603-7
- Modular Plug With 8P8C
- 23 to 26 AWG solid and stranded cables.
- UL Listed, ETL Verified, ANSI/TIA 568 2.D Certified
- PoE & PoH Compatible

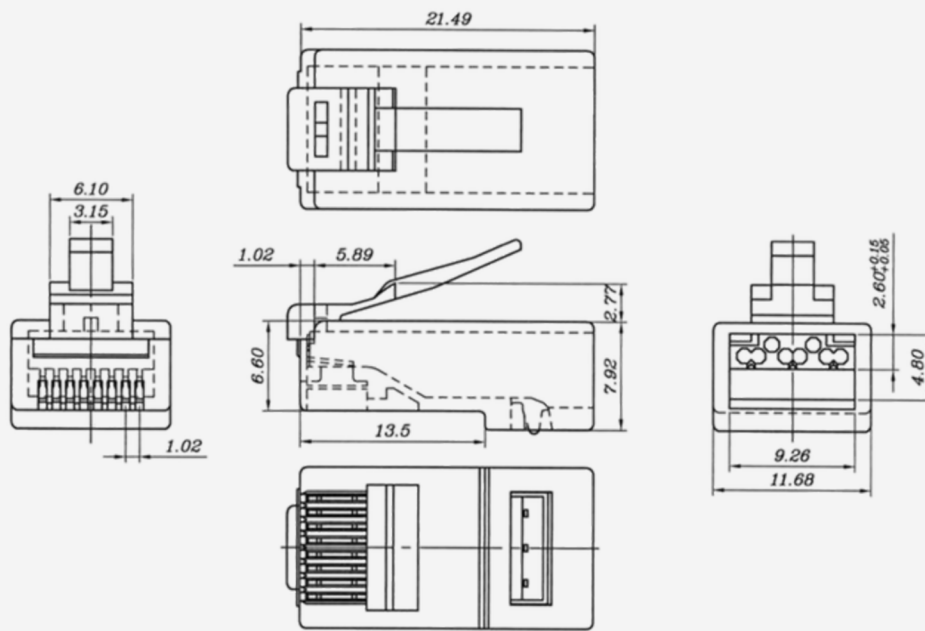
PHYSICAL & ENVIRONMENTAL PROPERTIES

Compatible Gauge solid	23 to 26 AWG	Category	Category 6 Shielded
Termination Contact Plating	Gold	Colour	Clear
Conductor Insulation Diameter	ø0.95 - 1.15mm	Plug Housing & Load Bar Material	Nickel plated hard brass
Contact Material Type	Phosphor Bronze	Cable outer diameter	Up to ø7.30mm
Storage Temperature	- 40°C To 70°C	Operating Temperature	-10 to +70C

ELECTRICAL & MECHANICAL PROPERTIES

Plug insertion Life	750 cycles min
Suitable Wire Sizes	23 to 26 AWG
Cable to Plug Tensile Strength	20 ft-lbs minimum
Contact Resistance	$\leq 20 \text{ m}\Omega$
Current Rating	1.5A
Voltage Proof, contact-to-contact	1000Vdc, for 60s

TECHNICAL DRAWING



ORDERING INFORMATION

FCMP6S

RJ45 Shielded Modular Male Plug (8-Pin), Cat6