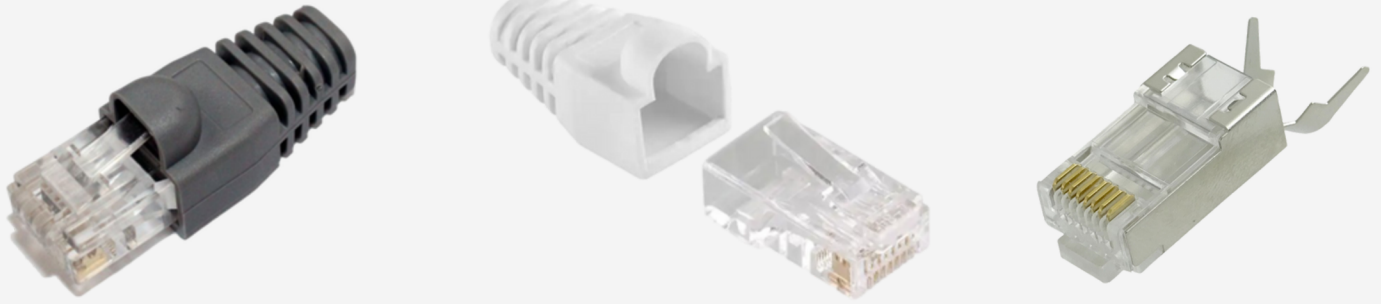


## RJ45 Unshielded Modular Male Plug (8-Pin), Cat6- FCMP6U



### DESCRIPTION

FABNET Cat 6 RJ45 (8P8C) modular plugs offer a simple and precise way for you to terminate the Ethernet cable. Cat 6 RJ 45 Modular Jacks well exceed the performance requirements of Cat 6 and are suitable for stranded as well as solid cable terminations.

### APPLICATIONS

- 10/100/1000/1G BASE-T (IEEE 802.3).
- Supports PoE++ (802.3bt) 4PPoE, up to 100W
- Horizontal Distribution for direct plugging to devices like CCTV, Wifi, Ceiling mount IP devices.
- Suitable for unshielded U/UTP Ethernet cable

### SPECIFICATIONS & FEATURES

- Meet Wiring Scheme T568A/T568B.
- ISO/IEC 11801 Class D; ANSI/TIA 1096-A; IEC 60603-7
- Modular Plug With 8P8C
- 23 to 26 AWG solid and stranded cables.
- UL Listed, ETL Verified, ANSI/TIA 568 2.D Certified
- PoE & PoH Compatible

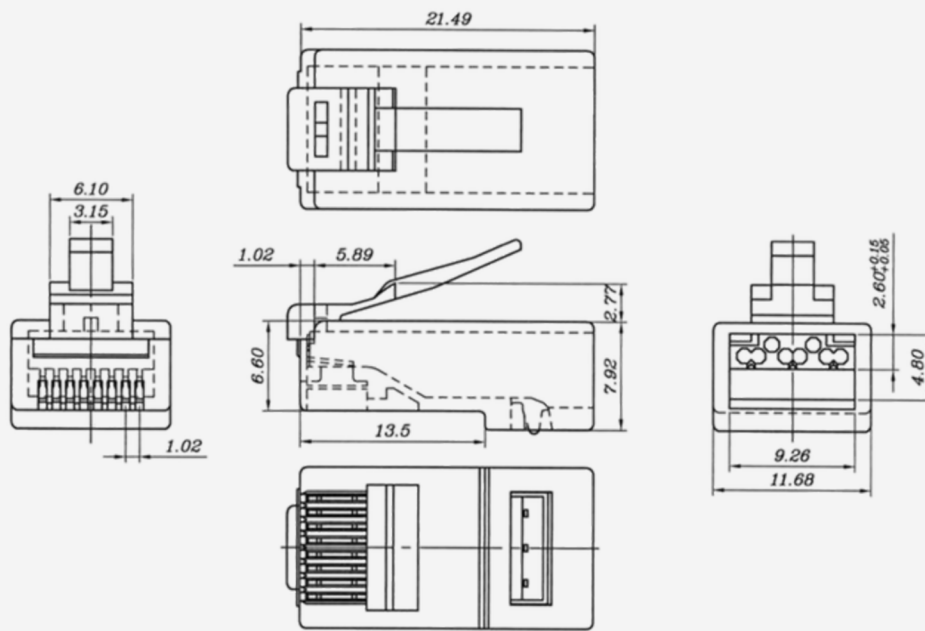
### PHYSICAL & ENVIRONMENTAL PROPERTIES

<b>Compatible Gauge solid</b>	23 to 26 AWG	<b>Category</b>	Category 6 Unshielded
<b>Termination Contact Plating</b>	Gold	<b>Colour</b>	Clear
<b>Conductor Insulation Diameter</b>	ø0.95 - 1.15mm	<b>Plug Housing &amp; Load Bar Material</b>	Polycarbonate
<b>Contact Material Type</b>	Phosphor Bronze	<b>Cable outer diameter</b>	Up to ø7.30mm
<b>Storage Temperature</b>	- 40°C To 70°C	<b>Operating Temperature</b>	-10 to +70C

## ELECTRICAL & MECHANICAL PROPERTIES

Plug insertion Life	750 cycles min
Suitable Wire Sizes	23 to 26 AWG
Cable to Plug Tensile Strength	20 ft-lbs minimum
Contact Resistance	$\leq 20 \text{ m}\Omega$
Current Rating	1.5A
Voltage Proof, contact-to-contact	1000Vdc, for 60s

## TECHNICAL DRAWING



## ORDERING INFORMATION

FCMP6U

RJ45 Unshielded Modular Male Plug (8-Pin), Cat6