

CAT 6A S/FTP 26 AWG Data Slim Patch Cord, LSZH - FCP6ASLSMx



DESCRIPTION

FABNET Category 6A S/FTP 26AWG Patch Cord Series are 4-pair, 26 AWG (stranded) and flexible cable structures terminated with shielded RJ45 connectors at both ends along with strain relief boot. CAT6A patch cables are used for Gigabit Ethernet 10GBASE-T speed and 500 MHz frequency requirements. These high-performance patch cords are available in various colors and lengths. All patch cords shall be compatible with both T568A and T568B wiring schemes

APPLICATIONS

- Ethernet 10BASE-T, 100BASE-T (Fast Ethernet), 1000BASE-T (Gigabit Ethernet), 10GBASE-T (10Gigabit Ethernet over limited distances as specified in the industry. 10GBASE-T standards)
- Digital video and broadband/baseband analog video
- Connection between wall outlets or equipment

SPECIFICATIONS & FEATURES

- Compliant with ISO/IEC11801:2011(Ed. 2.2) ANSI/TIA/EIA-568.2-D
- Outer Jacket: LSZH
- Flame test: comply with IEC 60332-1-2
- 100% performance tested for wire map, NEXT, and return loss Guarantee that each patch cord delivers specified performance
- Meets individual length and color-coding requirements
- PoE compliance: Rated for 1000 cycles with IEEE 802.3af / 802.3at POE ++
- ROHS compliance: Compliant

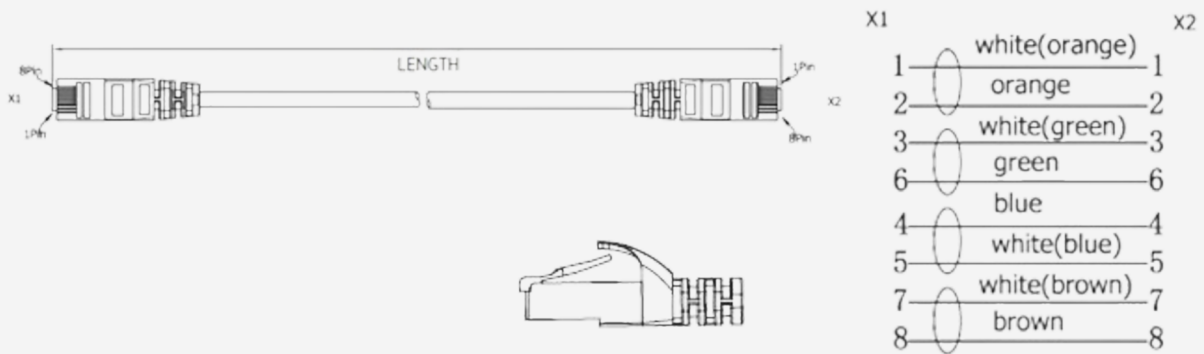
PHYSICAL PROPERTIES

Basic Conductor	Stranded bare copper 26 AWG	Category	CAT 6A S/FTP
Wire Insulation	Polyolefin	Number of insulated conductors	8, twisted in 4 pairs.
Jacket Color	Blue, Gray, Red, White, Green, Yellow, Black, Customized	Color Code of Pairs	Orange x White/Orange, Green x White/Green, Blue x White/Blue, Brown x White/ Brown
Cable OD	6.2± 0.2 mm	Insulation diameter	0.98 mm ± 0.05 mm
Outer Jacket	LSZH (Halogen free) flame retardant	RJ45 Plug	Plug Contact Material 2.54µm (100µ-inch) Nickel over 1.27µm (50µ-inch) gold covering
Jacket Thickness	0.55 +/- 0.05 mm	Cable lay-up	4 pairs with different pitches
Individual Shielding	Aluminum foil	Overall Shielding	Tinned copper braid laid

ELECTRICAL & MECHANICAL PROPERTIES

Conductor Resistance	≤5Ω
Insulation Resistance	500 mOhm
Characteristic Impedance	100 ± 6 Ohm @ 1-5000MHz
Contact Resistance	20 mOhm max.
Resistance unbalance	2% max
Dielectric strength	1000 volts/1 minute min rms
Coupling attenuation	55 dB min @ 30-100 MHz 55-20log(f/100) @100-500 MHz
Cable to Plug Tensile Strength	9 Kgf (90N) min
Durability	1200
Temperature operating range	-25°C to +70°C

TECHNICAL DRAWING



ORDERING INFORMATION

FCP6ASLSMxx

CAT 6A S/FTP 26 AWG Data Slim Patch Cord, LSZH

x-Length Variants (0.5,01,02,03,05,10,15,20, Customized)

x-Colour Variants (Blue, Gray, Red, White, Green, Yellow, Black, Customized)