

## CAT 6A U/UTP 26 AWG Data Slim Patch Cord, LSZH - FCP6AULSMx



### DESCRIPTION

FABNET Category 6A U/UTP 26AWG Patch Cord Series are 4-pair, 26 AWG (stranded) and flexible cable structures terminated with unshielded RJ45 connectors at both ends along with strain relief boot. CAT6A patch cables are used for Gigabit Ethernet 10GBASE-T speed and 500 MHz frequency requirements. These high-performance patch cords are available in various colors and lengths. All patch cords shall be compatible with both T568A and T568B wiring schemes

### APPLICATIONS

- Ethernet 10BASE-T, 100BASE-T (Fast Ethernet), 1000BASE-T (Gigabit Ethernet), 10GBASE-T (10Gigabit Ethernet over limited distances as specified in the industry. 10GBASE-T standards)
- Digital video and broadband/baseband analog video
- Connection between wall outlets or equipment

### SPECIFICATIONS & FEATURES

- Compliant with ISO/IEC11801:2011(Ed. 2.2) ANSI/TIA/EIA-568.2-D
- Outer Jacket: LSZH
- Flame test: comply with IEC 60332-1-2
- 100% performance tested for wire map, NEXT, and return loss Guarantee that each patch cord delivers specified performance
- Meets individual length and color-coding requirements
- PoE compliance: Rated for 1000 cycles with IEEE 802.3af / 802.3at POE ++
- ROHS compliance: Compliant

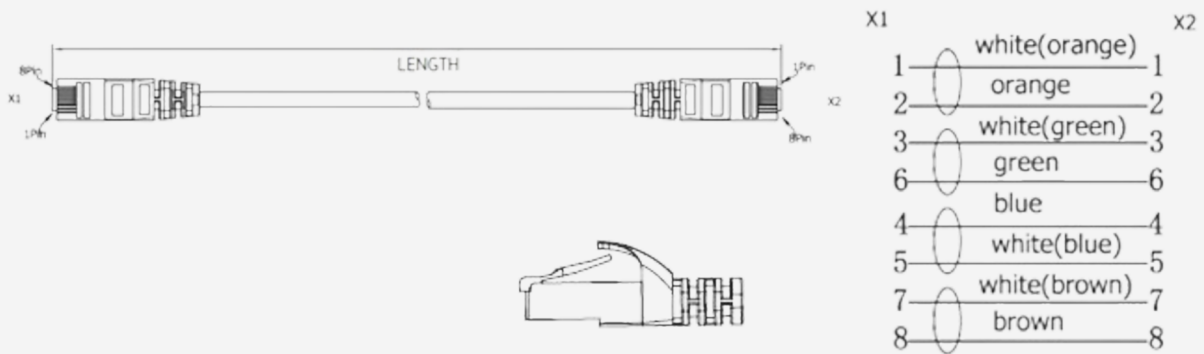
### PHYSICAL PROPERTIES

<b>Basic Conductor</b>	Stranded bare copper 26 AWG	<b>Category</b>	CAT 6A U/UTP
<b>Wire Insulation</b>	Polyolefin	<b>Number of insulated conductors</b>	8, twisted in 4 pairs.
<b>Jacket Color</b>	Blue, Gray, Red, White, Green, Yellow, Black, Customized	<b>Color Code of Pairs</b>	Orange x White/Orange, Green x White/Green, Blue x White/Blue, Brown x White/ Brown
<b>Cable OD</b>	5.8 ± 0.2 mm	<b>Insulation diameter</b>	0.98 mm ± 0.05 mm
<b>Outer Jacket</b>	LSZH (Halogen free) flame retardant	<b>RJ45 Plug</b>	Plug Contact Material 1.27µm (50µ-inch) gold over 2.54µm (100µ-inch) Nickel covering
<b>Jacket Thickness</b>	0.55 +/- 0.05 mm	<b>Cable lay-up</b>	4 pairs with different pitches

## ELECTRICAL & MECHANICAL PROPERTIES

<b>Conductor Resistance</b>	≤5Ω
<b>Insulation Resistance</b>	≥10MΩ
<b>Characteristic Impedance</b>	100 ± 6 Ohm @ 1-5000MHz
<b>Contact Resistance</b>	20 mOhm max.
<b>Resistance unbalance</b>	2% max
<b>Dielectric strength</b>	1000 volts/1 minute min rms
<b>Coupling attenuation</b>	55 dB min @ 30-100 MHz 55-20log(f/100) @100-500 MHz
<b>Cable to Plug Tensile Strength</b>	9 Kgf (90N) min
<b>Durability</b>	1200
<b>Temperature operating range</b>	-25°C to +70°C

## TECHNICAL DRAWING



## ORDERING INFORMATION

FCP6AULSMxx

CAT 6A U/UTP 26 AWG Data Slim Patch Cord, LSZH

x-Length Variants (0.5,01,02,03,05,10,15,20, Customized)

x-Colour Variants (Blue, Gray, Red, White, Green, Yellow, Black, Customized)