

CAT 6 U/UTP 24 AWG Data Patch Cord, PVC - FCP6UPMx



DESCRIPTION

FABNET Category 6/Class E, UTP patch cords shall be constructed of 24 AWG unshielded twisted pair stranded copper cable with an enhanced performance modular plug at each end along with strain relief boot. Designed to meet or exceed Cat6 specifications. These high-performance patch cords are available in various colors and lengths.

APPLICATIONS

- Ethernet 10BASE-T, 100BASE-T (Fast Ethernet), 1000BASE-T Standards.
- Digital video and broadband/baseband analog video.
- Voice over Internet Protocol (VoIP).

SPECIFICATIONS & FEATURES

- Compliant with ISO/IEC11801:2011(Ed. 2.2) ANSI/TIA/EIA-568.2-D
- Outer Jacket: PVC/LSZH
- Flame test: comply with IEC 60332-1-2
- 100% performance tested for wire map, NEXT, and return loss Guarantee that each patch cord delivers specified performance
- Meets individual length and color-coding requirements
- PoE compliance: Rated for 1000 cycles with IEEE 802.3af / 802.3at POE ++

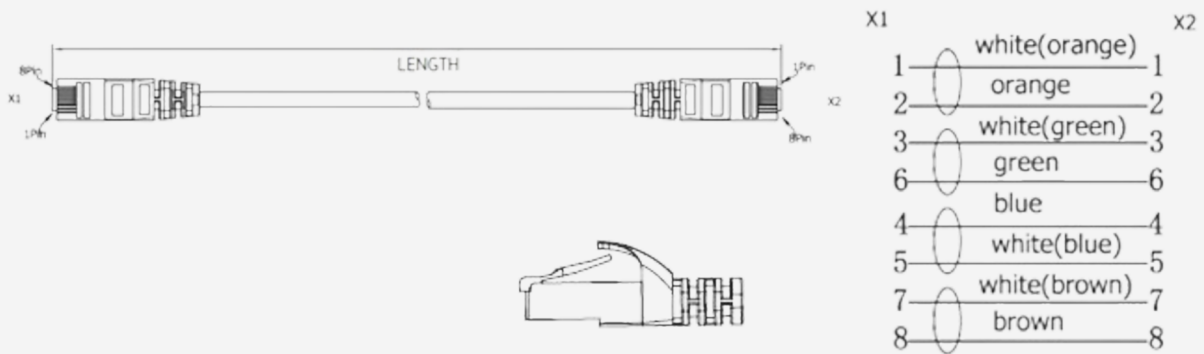
PHYSICAL PROPERTIES

Basic Conductor	Annealed bare stranded copper 24 AWG	Category	CAT 6 U/UTP
Wire Insulation	Polyolefin	Number of insulated conductors	8, twisted in 4 pairs.
Jacket Color	Blue, Gray, Red, White, Green, Yellow, Black, Customized	Color Code of Pairs	Orange x White/Orange, Green x White/Green, Blue x White/Blue, Brown x White/ Brown
Cable OD	6.0 ± 0.2 mm	Insulation diameter	0.98 mm ± 0.05 mm
Outer Jacket	LSZH (Halogen free) flame retardant or PVC	RJ45 Plug	Plug Contact Material 1.27µm (50µ-inch) gold over 2.54µm (100µ-inch) Nickel covering
Jacket Thickness	0.55 +/- 0.05 mm	Cable lay-up	4 pairs with different pitches

ELECTRICAL & MECHANICAL PROPERTIES

Conductor Resistance	$\leq 5\Omega$
Insulation Resistance	$\geq 10M\Omega$
Characteristic Impedance	$100 \pm 6 \text{ Ohm @ } 1\text{-}250\text{MHz}$
Contact Resistance	20 mOhm max.
Resistance unbalance	2% max
Dielectric strength	1000 volts/1 minute min rms
Coupling attenuation	40dB dak @ 30-100 MHz 40-20log (f / 100) @ 100-250 MHz
Cable to Plug Tensile Strength	9 Kgf (90N) min
Durability	1200
Temperature operating range	-25°C to +70°C

TECHNICAL DRAWING



ORDERING INFORMATION

FCP6UPMxx	CAT 6 U/UTP 24 AWG Data Patch Cord, PVC
FCP6ULMxx	CAT 6 U/UTP 24 AWG Data Patch Cord, LSZH

x-Length Variants (0.5,01,02,03,05,10,15,20, Customized)
 x-Colour Variants (Blue, Gray, Red, White, Green, Yellow, Black, Customized)