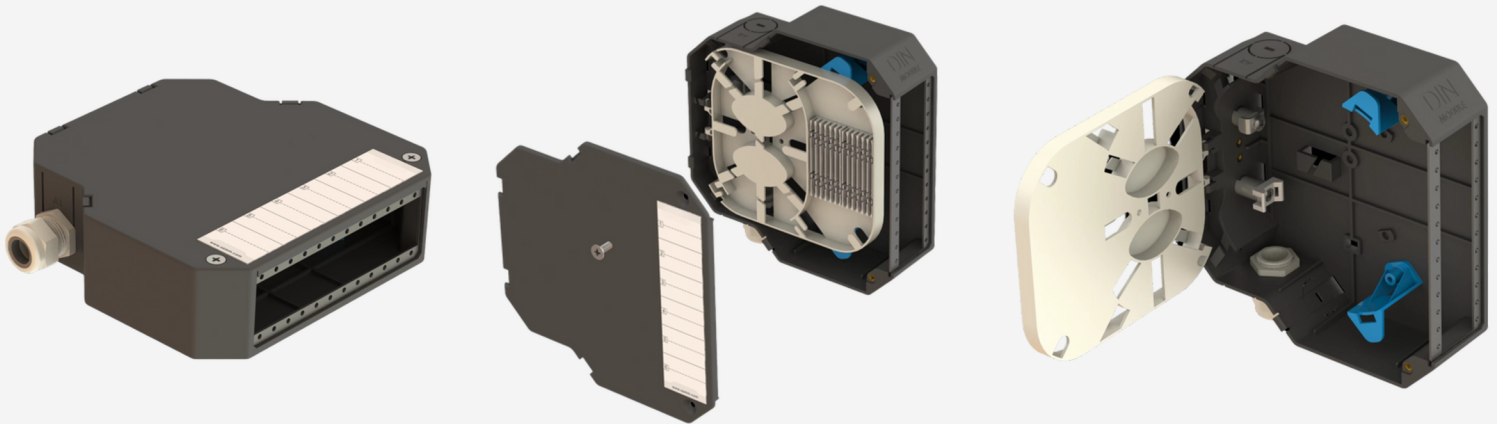


12 PORT DIN RAIL TERMINATION BOX, UNLOADED



DESCRIPTION

FABNET DIN Rail Fiber Optic Termination Boxes are a splicing / patching module that can be attached to standard 35 mm DIN Rails. These boxes provide termination of fiber optic cables in control cabinets and distribution boxes, with a maximum of 24 fibers.

APPLICATIONS

- Optical fiber communication system
- Telecom, FTTH, Optical CATV and LAN applications.
- Industrial Automation
- Oil & Gas
- Power Generation and Transmission
- Mining

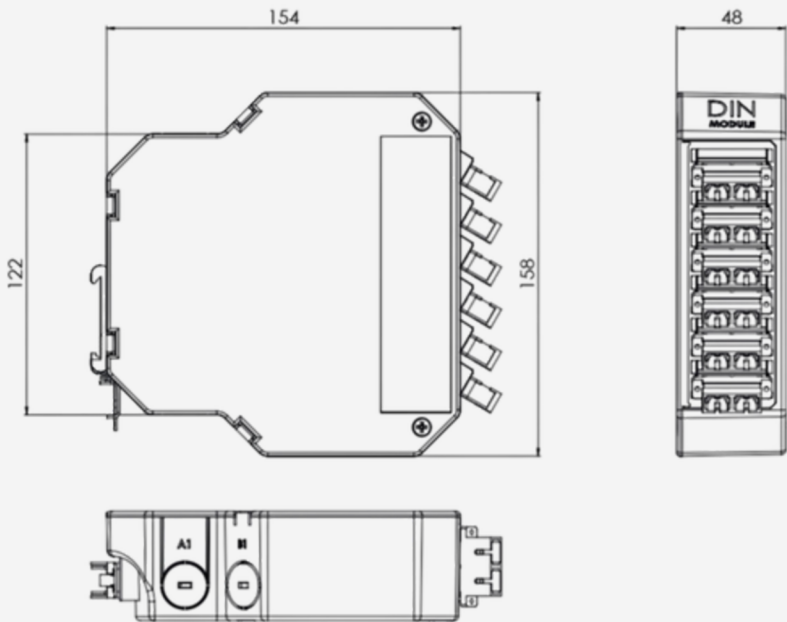
SPECIFICATIONS & FEATURES

- Made of a special PC/ABS plastic material
- Quick and easy mounting for standard 35 mm DIN rails
- High density solutions up to 24F with LC Quad and SC Duplex adapters
- Four sided cable entry options
- Suitable for pre-terminated fiber optic cables
- Gland or grommet option for cable entries and exits
- Horizontal and vertical mounting options

PHYSICAL & ENVIRONMENTAL PROPERTIES

Range of Mode	Unloaded	Material	PC/ABS plastic
Colour	Black	Capacity	Up to 24 fiber
Cassette	24F/Cassette with fusion splice holders	Flame Rating	UL 94-V0
Storage Temperature	-25° to 70°	Operating Temperature	-25° to 70°

TECHNICAL DRAWING



ORDERING INFORMATION

FDP12P

12 PORT DIN RAIL TERMINATION BOX, UNLOADED