

Keystone Jack, Shielded, Cat6A, Black- FKS6ASBL



DESCRIPTION

FABNET Cat 6 keystone Jacks for 22 to 26-gauge stranded and solid cables meet the international standard ISO/IEC 11801 and the ANSI/TIA-568.2-D requirements. Each Keystone Jack has a compact casing that will fit into any standard-sized faceplate, blank patch panels, surface boxes and outlet boxes. Category 6 Shielded 90/180 Degree RJ45 110 Punch Down and toolless ethernet Keystone Jack is suitable for 22 gauge to 26 gauge stranded and solid Shielded wires

APPLICATIONS

- IEEE 802.3an 10GBase-T 10Gbit/s Ethernet over Twisted Pair
- Toolless Design: Do not need punch down tool.
- Telecommunications/Voice applications
- Easily snap in and out of patch panel, and surface boxes or other application.

SPECIFICATIONS & FEATURES

- Compliant with ANSI/TIA 568.2-D, ISO/IEC 11801 Class EA
- IEEE 802.3an 10GBase-T 10Gbit/s Ethernet over Twisted Pair
- Universal color-coding according to T568A and T568B
- Supports Power over Ethernet PoE+ 802.3at and PoE++ 802.3bt
- Dual color-coding allows for 568 A/B wiring configuration
- 50-micron gold-plated contacts
- RJ-11 & RJ-12 compatible
- IEEE /TIA Standard interface provides a seamless plug and play connection to RJ45 Patch cords.
- Tool-less type, easy installation.
- ETL verified and RoHS Compliant.

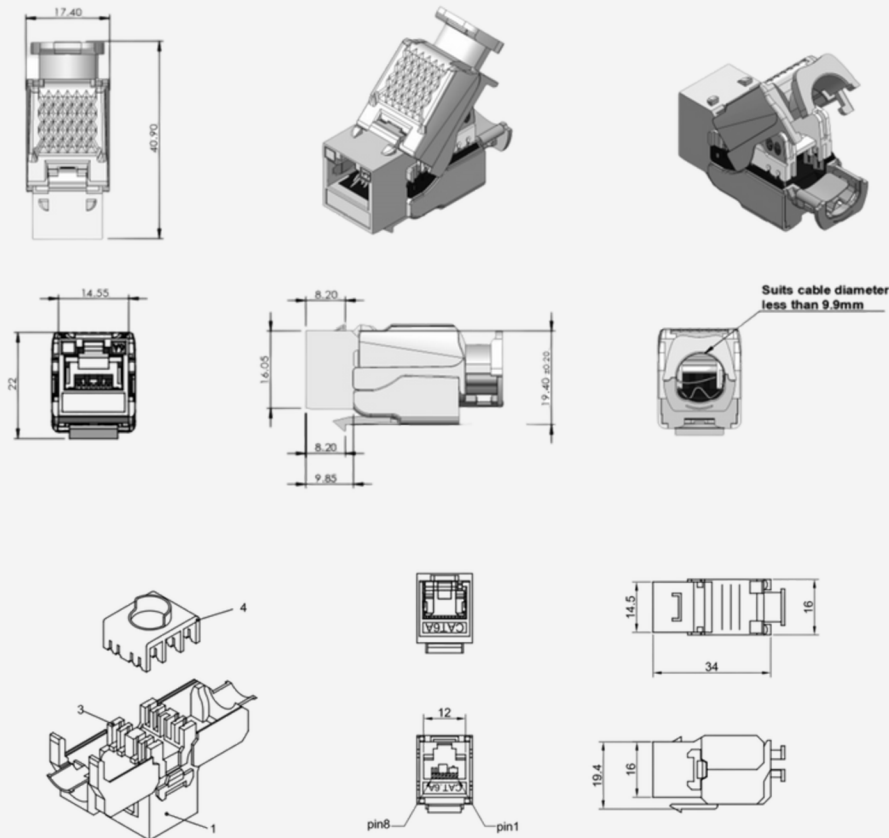
PHYSICAL & ENVIRONMENTAL PROPERTIES

Compatible Gauge solid	22-24 AWG	Category	Category 6A Shielded
Spring Wire	Phosphor Bronze	Top Cover + Rear Cover	Zinc Alloy, Nickel Plated
IDC Housing	ABS UL94V-0	Jack Housing	Zinc Alloy, Nickel Plated
Termination Contact Plating	50u" Gold at Contact Area Nickel Undercoat	Cable outer diameter	5mm to 9.9mm
Storage Temperature	- 40°C To 70°C	Operating Temperature	10°C to 60°C

ELECTRICAL & MECHANICAL PROPERTIES

Termination Punch downs,minimum	>20x
Plug insertion Life	>750x
Plug Insertion Force	<30N
Plug Retention Force	>80N
Insulation Resistance	>= 500 MΩ
Dielectric Strength	>1000VDC
Contact Resistance	<= 20 mΩ
Current Rating	1.5A @ 20°C
Shield Resistance	<100mΩ

TECHNICAL DRAWING



- Material:**
1. RJ45 Jack:
 - 1-1. Housing: Zinc Alloy
 - 1-2. RJ45 Bracket Set: PBT+Glass Fiber UL 94V-0.
 2. RJ45 Jack Contact
 - 2-1. Material: Phosphor Bronze with Nickel plated.
 - 2-2. Finish: 3-50 micro-inch Gold plated on Plug contact area.
 3. IDC:
 - 3-1. Housing: PC+Glass Fiber, UL 94V-2.
 - 3-2. Terminal: Phosphor Brone with min.50 micro-inch Tin plated.
 4. IDC CAP: ABS, UL 94-HB.
 5. PCB: FR4, UL 94V-0

ORDERING INFORMATION

FKS6ASBL-S	Keystone Jack, Shielded, Cat6A, Black, 180°
FKS6ASBL-A	Keystone Jack, Shielded, Cat6A, Black, 90°