

## Keystone Jack, Shielded, Cat6, Black- FKS6SBL



### DESCRIPTION

FABNET Cat 6 keystone Jacks for 22 to 26-gauge stranded and solid cables meet the international standard ISO/IEC 11801 and the ANSI/TIA-568.2-D requirements. Each Keystone Jack has a compact casing that will fit into any standard-sized faceplate, blank patch panels, surface boxes and outlet boxes. Category 6 Shielded 90/180 Degree RJ45 110 Punch Down and toolless ethernet Keystone Jack is suitable for 22 gauge to 26 gauge stranded and solid Shielded wires

### APPLICATIONS

- Ethernet 10BASE-T, 100BASE-T (Fast Ethernet), 1000BASE-T (Gigabit Ethernet)
- POE Type 1 to 4 applications.
- Telecommunications/Voice applications
- Easily snap in and out of patch panel, and surface boxes or other application.

### SPECIFICATIONS & FEATURES

- Compliant with ANSI/TIA 568.2-D, ISO/IEC 11801 Class E
- Universal color-coding according to T568A and T568B
- Suitable for all types of Universal Shielded Keystone patch panels, face plates, floor box adapters, etc.
- Dual color-coding allows for 568 A/B wiring configuration
- 50-micron gold-plated contacts
- RJ-11 & RJ-12 compatible
- IEEE /TIA Standard interface provides a seamless plug and play connection to RJ45 Patch cords.
- Tool-less type, easy installation.
- ETL verified and RoHS Compliant.

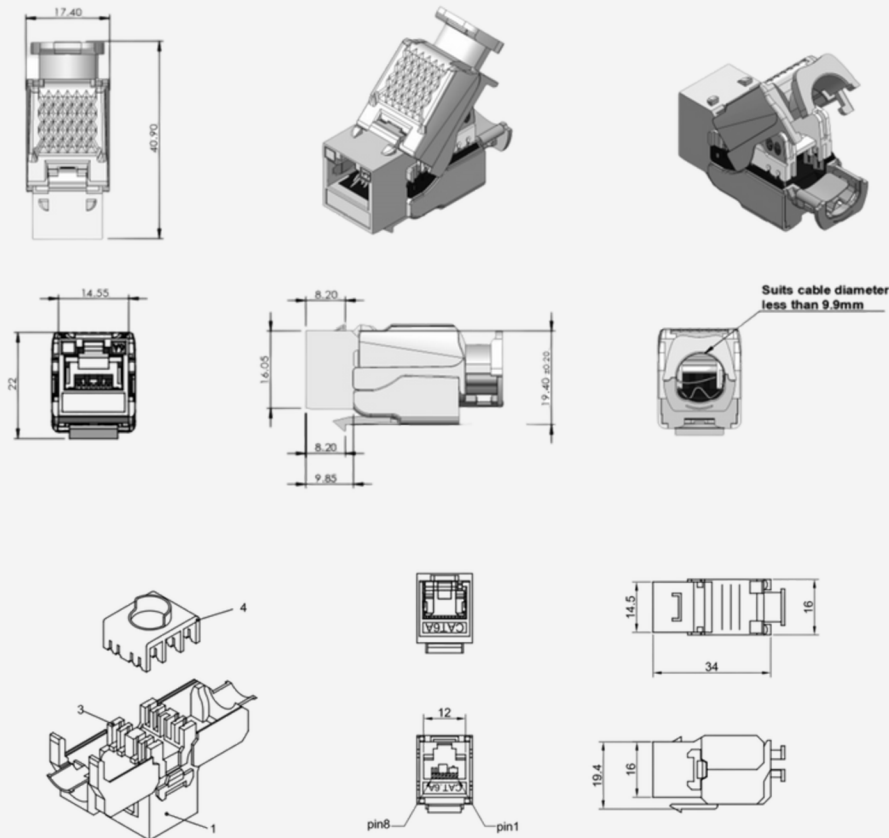
### PHYSICAL & ENVIRONMENTAL PROPERTIES

<b>Compatible Gauge solid</b>	22-24 AWG	<b>Category</b>	Category 6 Shielded
<b>Spring Wire</b>	Phosphor Bronze	<b>Top Cover + Rear Cover</b>	Zinc Alloy, Nickel Plated
<b>IDC Housing</b>	ABS UL94V-0	<b>Jack Housing</b>	Zinc Alloy, Nickel Plated
<b>Termination Contact Plating</b>	50u" Gold at Contact Area Nickel Undercoat	<b>Cable outer diameter</b>	5mm to 9.9mm
<b>Storage Temperature</b>	- 40°C To 70°C	<b>Operating Temperature</b>	10°C to 60°C

## ELECTRICAL & MECHANICAL PROPERTIES

Termination Punch downs,minimum	>20x
Plug insertion Life	>750x
Plug Insertion Force	<30N
Plug Retention Force	>80N
Insulation Resistance	$\geq 500 \text{ M}\Omega$
Dielectric Strength	>1000VDC
Contact Resistance	$\leq 20 \text{ m}\Omega$
Current Rating	1.5A @ 20°C
Shield Resistance	<100mΩ

## TECHNICAL DRAWING



- Material:
1. RJ45 Jack:
    - 1-1. Housing: Zinc Alloy
    - 1-2. RJ45 Bracket Set: PBT+Glass Fiber UL 94V-0.
  2. RJ45 Jack Contact
    - 2-1. Material: Phosphor Bronze with Nickel plated.
    - 2-2. Finish: 3-50 micro-inch Gold plated on Plug contact area.
  3. IDC:
    - 3-1. Housing: PC+Glass Fiber, UL 94V-2.
    - 3-2. Terminal: Phosphor Brone with min.50 micro-inch Tin plated.
  4. IDC CAP: ABS, UL 94-HB.
  5. PCB: FR4, UL 94V-0

## ORDERING INFORMATION

FKS6SBL-S

Keystone Jack, Shielded, Cat6, Black, 180°

FKS6SBL-A

Keystone Jack, Shielded, Cat6, Black, 90°