

## Field Termination Plug, Shielded, Cat6A, Black- FT6ASB



### DESCRIPTION

FABNET Cat6A Tool Free Short Field Term Plug RJ45 Connector 8P8C Modular Plug Providing outstanding network cabling performance and meeting the 4PPoE (IEEE 802.3bt) requirements, the Cat6A tool free short connector is designed to terminate with Cat6A cables and to be applied in direct plugging to the devices like CCTV, Wifi, Ceiling mount IP devices.

### APPLICATIONS

- Ethernet 10BASE-T, 100BASE-T (Fast Ethernet), 1000BASE-T (Gigabit Ethernet), 10GBASE-T (IEEE 802.3)
- PoE / PoE +(IEEE 802.3af / IEEE 802.3at).
- Horizontal Distribution for direct plugging to devices like CCTV, Wifi, Ceiling mount IP devices.
- Fully Shielded body reduces EMI/RF interference.

### SPECIFICATIONS & FEATURES

- Compliant with ANSI/TIA 568.2-D, ISO/IEC 11801 Class EA
- Universal color-coding according to T568A and T568B
- Dual color-coding allows for 568 A/B wiring configuration
- 23 to 26 AWG solid and stranded cables.
- Tool-less type, easy installation.
- ETL verified and RoHS Compliant.

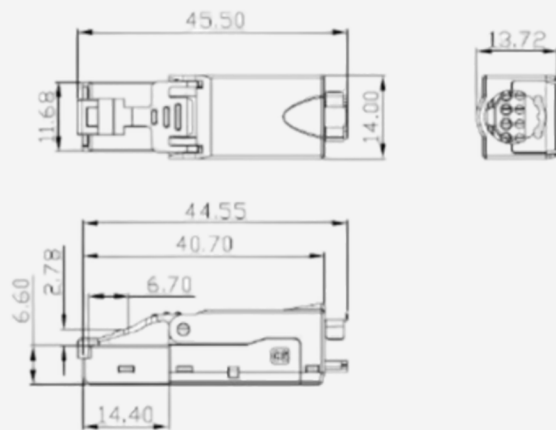
### PHYSICAL & ENVIRONMENTAL PROPERTIES

<b>Compatible Gauge solid</b>	Stranded AWG22-27, Solid AWG22-26	<b>Category</b>	Category 6A Shielded
<b>Termination Contact Plating</b>	Gold	<b>Thickness</b>	50Micro-inch
<b>Modular Connector Type</b>	RJ45 Plug	<b>Body Material</b>	Zinc Alloy, Nickel Plated
<b>Contact Material Type</b>	Phosphor Bronze	<b>Cable outer diameter</b>	5.0 to 8.0mm
<b>Storage Temperature</b>	- 40°C To 70°C	<b>Operating Temperature</b>	-10 to +60C

## ELECTRICAL & MECHANICAL PROPERTIES

Termination Punch downs,minimum	20 Times
Plug insertion Life	750 cycles min
Suitable Wire Sizes	Stranded AWG22-27, Solid AWG22-26
Plug Retention Force	≤ 30 N
Insulation Resistance	≥ 500 MΩ
Dielectric Withstand Volt	100VAC RMS 60Hz
Contact Resistance	≤ 20 mΩ
Current Rating	1.5A
Voltage Proof, contact-to-contact	1000Vdc, for 60s

## TECHNICAL DRAWING



## ORDERING INFORMATION

FT6ASB

RJ45 Field Termination Plug, Shielded, Cat6A, Black