

Field Termination Plug, Unshielded, Cat6A, Black- FT6AUB



DESCRIPTION

FABNET Cat6A Tool Free Short Field Term Plug RJ45 Connector 8P8C Modular Plug Providing outstanding network cabling performance and meeting the 4PPoE (IEEE 802.3bt) requirements, the Cat6A tool free short connector is designed to terminate with Cat6A cables and to be applied in direct plugging to the devices like CCTV, Wifi, Ceiling mount IP devices.

APPLICATIONS

- Ethernet 10BASE-T, 100BASE-T (Fast Ethernet), 1000BASE-T (Gigabit Ethernet), 10GBASE-T (IEEE 802.3)
- PoE / PoE +(IEEE 802.3af / IEEE 802.3at).
- Horizontal Distribution for direct plugging to devices like CCTV, Wifi, Ceiling mount IP devices.

SPECIFICATIONS & FEATURES

- Compliant with ANSI/TIA 568.2-D, ISO/IEC 11801 Class EA
- Universal color-coding according to T568A and T568B
- Dual color-coding allows for 568 A/B wiring configuration
- 23 to 26 AWG solid and stranded cables.
- Tool-less type, easy installation.
- ETL verified and RoHS Compliant.

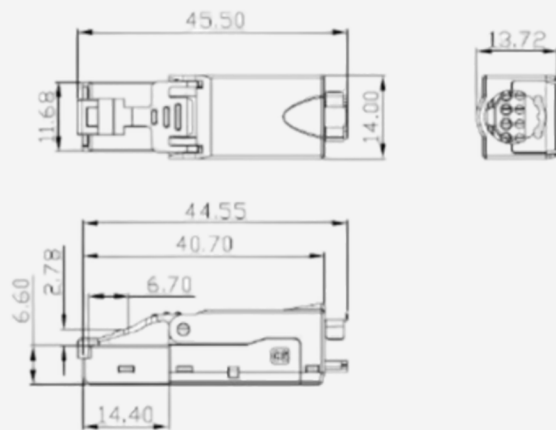
PHYSICAL & ENVIRONMENTAL PROPERTIES

Compatible Gauge solid	Stranded AWG22-27, Solid AWG22-26	Category	Category 6A Unshielded
Termination Contact Plating	Gold	Thickness	50Micro-inch
Body color	Black,	Body Material	Housing: ABS, UL94- V0
Contact Material Type	Phosphor Bronze	Cable outer diameter	5.0 to 8.0mm
Storage Temperature	- 40°C To 70°C	Operating Temperature	-10 to +60C

ELECTRICAL & MECHANICAL PROPERTIES

Termination Punch downs,minimum	20 Times
Plug insertion Life	750 cycles min
Suitable Wire Sizes	Stranded AWG22-27, Solid AWG22-26
Plug Retention Force	≤ 30 N
Insulation Resistance	≥ 500 MΩ
Dielectric Withstand Volt	100VAC RMS 60Hz
Contact Resistance	≤ 20 mΩ
Current Rating	1.5A
Voltage Proof, contact-to-contact	1000Vdc, for 60s

TECHNICAL DRAWING



ORDERING INFORMATION

FT6AUB

RJ45 Field Termination Plug, Unshielded, Cat6A, Black