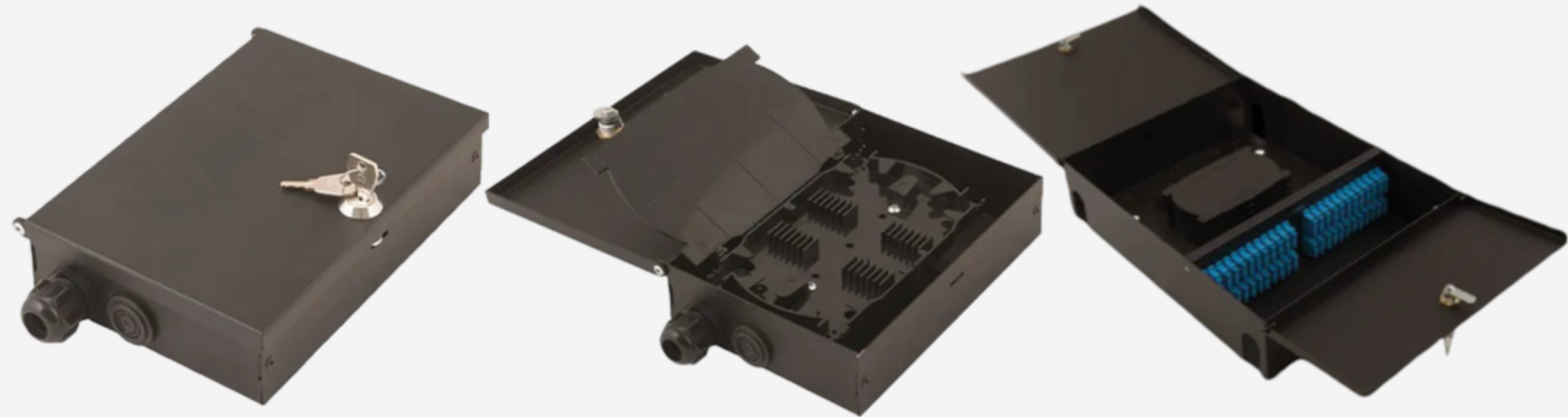


WALL MOUNT SPICE ENCLOSURE - FWP12/24/48



DESCRIPTION

FABNET wall mount Fiber Termination Patch/Splice Box is designed for use as a wall mount interconnect point where termination and connectivity of up to 96 fibers is desired.. The rear section accommodates cable entry and provides protection to prevent cable removal. The box features two separate compartments: one for fusion splice trays and another for routing optical connecting modules to the equipment.

APPLICATIONS

- Optical fiber communication system
- Telecom, FTTH, Optical CATV and LAN applications.
- Telecom Rooms

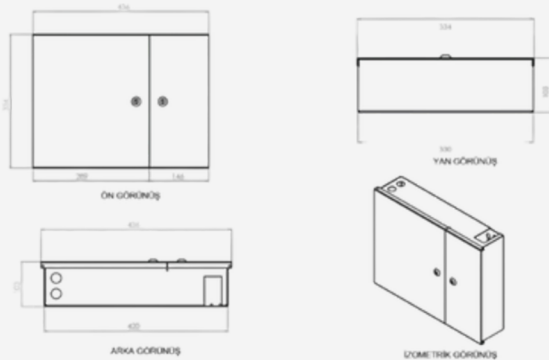
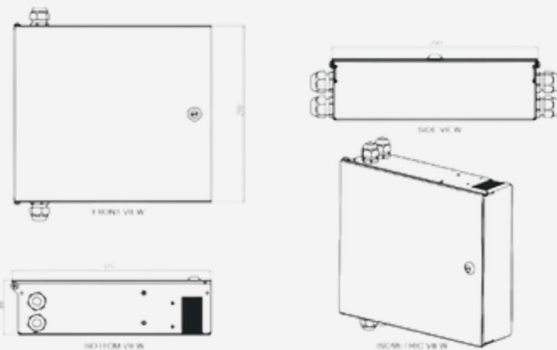
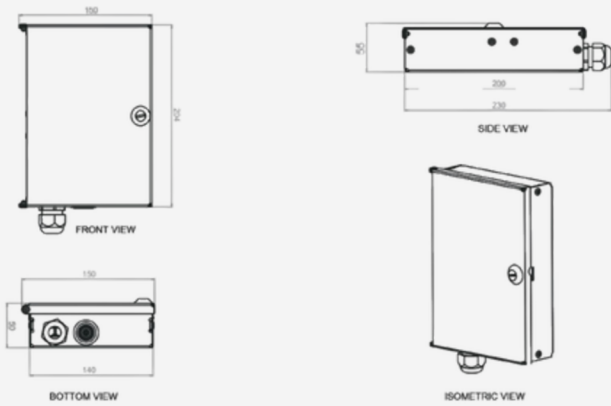
SPECIFICATIONS & FEATURES

- Fits comfortably into new and existing interconnect, cross-connect, customer premise, and co-location environments
- Single door with tube-style keyed lock for flexibility and security
- 48/96 Core Options.
- Accepts SC/ST/FC/LC adapters or Direct termination.
- Compliant to RoHS

PHYSICAL & ENVIRONMENTAL PROPERTIES

Range of Mode	Unloaded	Material	Cold rolled steel
Colour	Black/Light Gray	Capacity	Up to 96 fiber
Cassette	24F/Cassette with fusion splice holders	Dimensions	3 Sizes options
Storage Temperature	-25° to 70°	Operating Temperature	-25° to 70°

TECHNICAL DRAWING



ORDERING INFORMATION

FWP12S	Wall Mount Splice Enclosure Small (Up to 24 Core)
FWP24M	Wall Mount Splice Enclosure Medium (Up to 48 Core)
FWP48L	Wall Mount Splice Enclosure Large (Up to 96 Core)