

## Wall Mount Single Section Enclosures



### DESCRIPTION

FABNET Single-section wall mount cabinet is suitable for applications where security and accessibility are required, and floor space is at a premium. The cabinets are designed to hold multiple pieces of voice/data equipment comfortably. The cabinet features a lockable glass door, adjustable front profiles and removable entry plates at the top and bottom. Ventilation is provided to allow active equipment to be installed, making it an ideal solution for small LANs, retail units and remote sites.

### APPLICATIONS

- LAN & WAN networking
- Network Cabling closets
- Telecommunication room
- Security System.
- Audio / Video System.

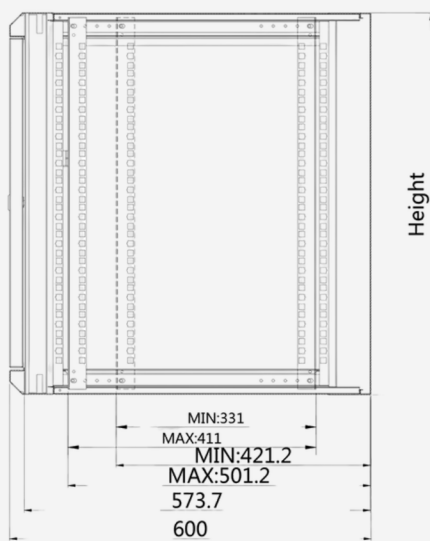
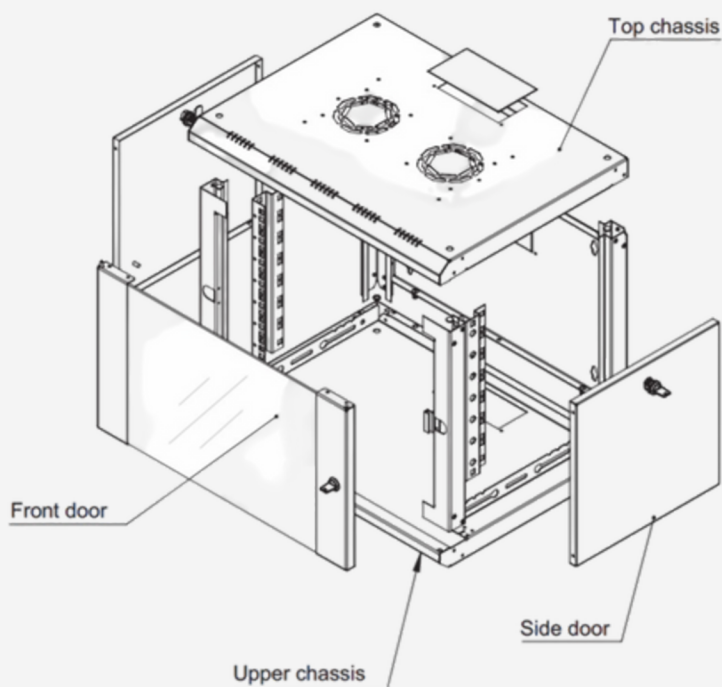
### SPECIFICATIONS & FEATURES

- SPCC cold-rolled steel construction
- Tempered glass front door with over 180 turning degrees.
- Welded frame, single section, compatible with 19" standard equipment.
- Removable side panel, easy to install and lock optional.
- Fan cutout on the top, easy to install the fan.
- Comply with ANSI/EIA RS-310-D, IEC297-2
- ROHS & REACH.

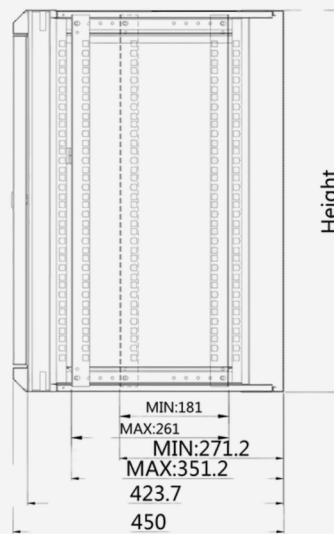
### PHYSICAL & ENVIRONMENTAL PROPERTIES

<b>Material</b>	SPCC Cold rolled steel	<b>Rack Type</b>	Wall Mount Single Section
<b>Loading Capacity</b>	Static loading: 100kg	<b>Surface finish</b>	Painted with high-quality polyester
<b>Available Sizes</b>	06U to 21U	<b>Degree of protection</b>	IP 20
<b>Depth</b>	450mm/600mm	<b>Front panels</b>	3mm tempered glass
<b>Width</b>	600mm	<b>Colour</b>	RAL 7035 / RAL 9005
<b>RoHS</b>	Complied	<b>Storage Temperature</b>	-10 °C to +70 °C

## ENCLOSURE DRAWING



600 Deep Wall Cabinet



450 Deep Wall Cabinet

## ORDERING INFORMATION

**FWS60xxUyyB**

Wall Mount Single Section Enclosures, 19", 600mm, Black

xx - Depth Varies 45(450mm), 60(600mm)

yy - Capacity Varies (U) 06/09/12/15/18/21